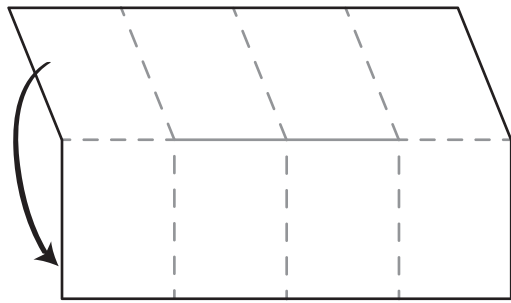


# Rainbow Belle's Mini Colouring Fun Book

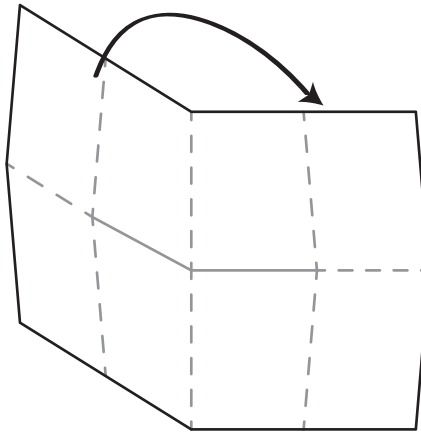


1. Place the paper printed side down and fold it in half lengthways
2. Unfold it, then fold in half again – this time widthways
3. Follow the dotted lines to make two more folds. You should get a W shape
4. Open the last two folds back out and cut along the solid line in the centre
5. Open the paper out and fold it lengthways again
6. Push the two folded edges in to make an X shape
7. Now fold all the pages round to make your Mini Colouring Fun Book!

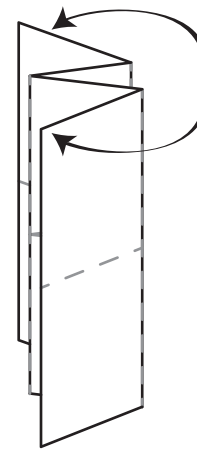
1



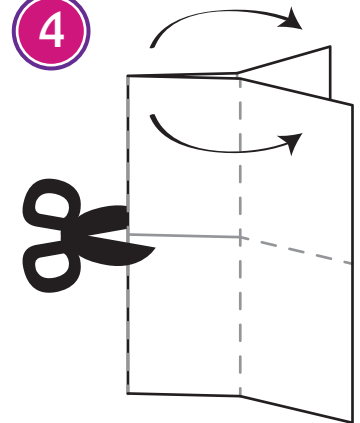
2



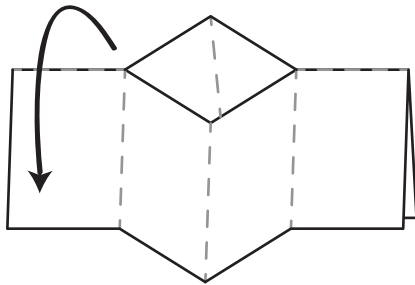
3



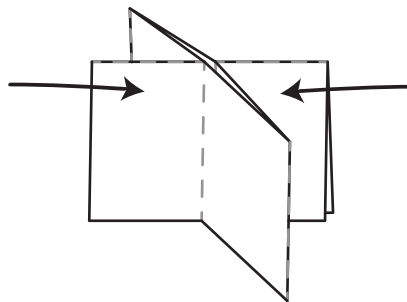
4



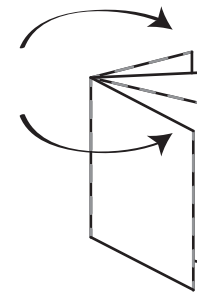
5

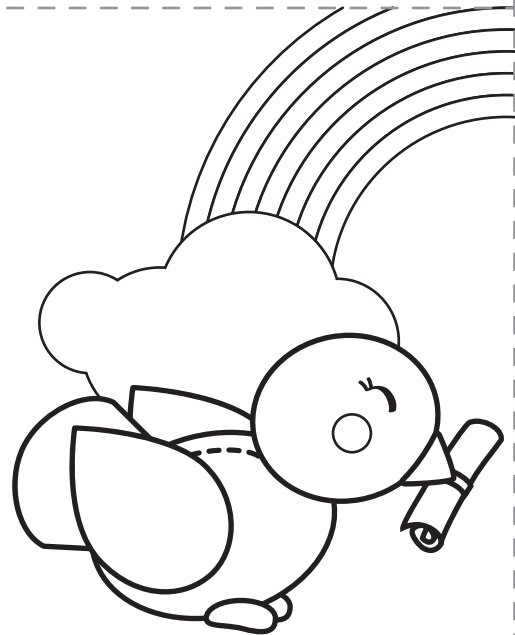
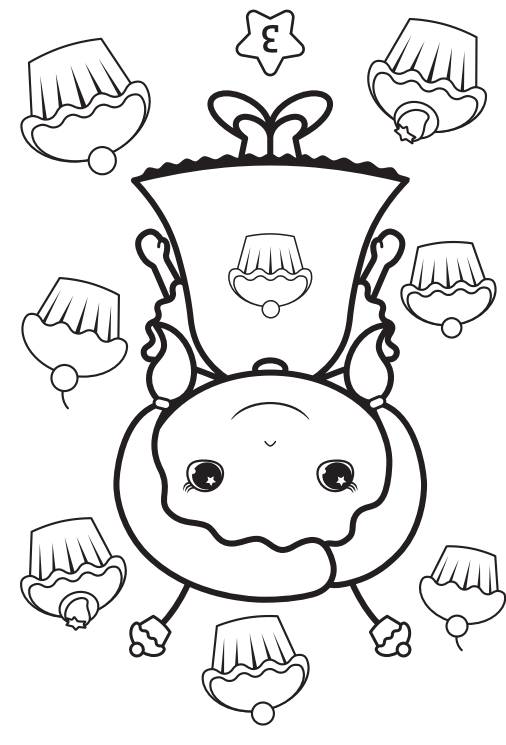
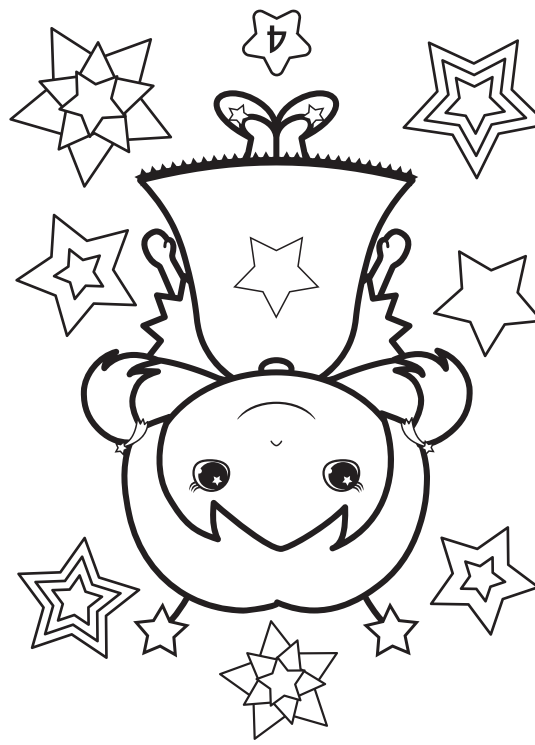
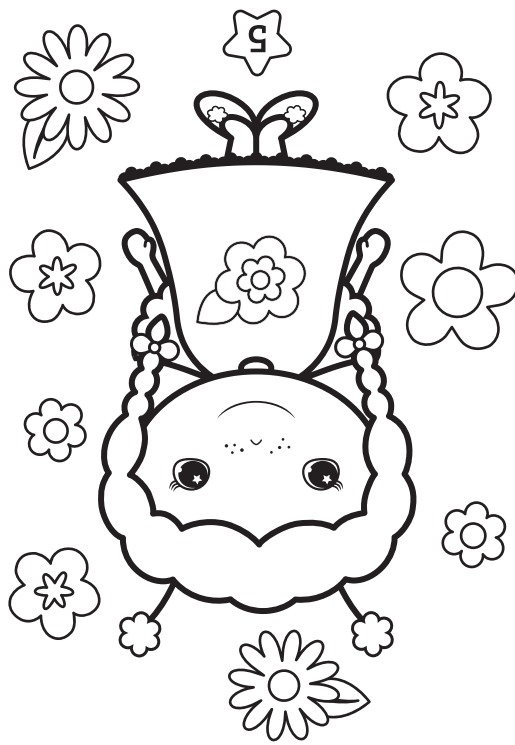
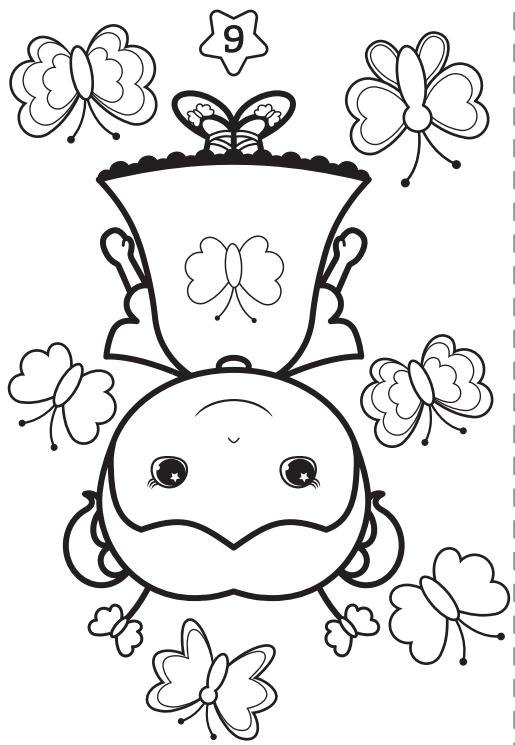


6



7





This mini  
Colouring Fun  
book belongs to:

